

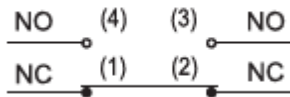
TECHNICAL SPECIFICATION

All-purpose limit switch – series CWL-xxx

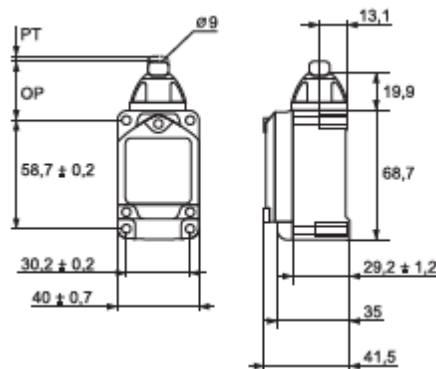
Description

- Dielectric strength: 1000V AC
- Insulating resistance: 100mΩ
- Contact resistance: 15mΩ
- Electrical endurance (number of cycles): 500 000 with active load
- Mechanical endurance (number of cycles): 10 000 000
- Gearing speed: 1mm/s to 2 m/s
- Rated voltage: 230V
- IP code: IP66
- Cable input: cable gland
- Metal shell
- Vibration-resistant

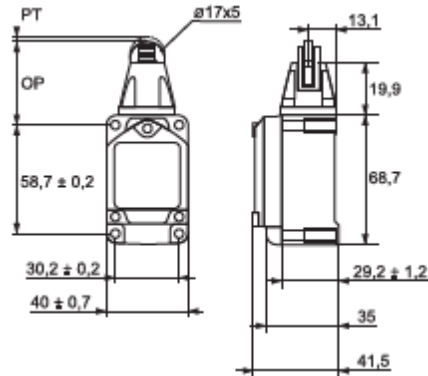
Type of contact system



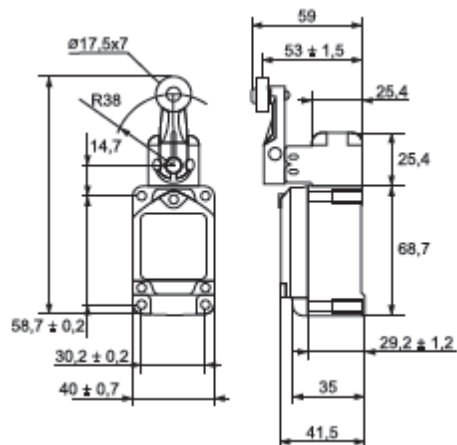
Variants and dimensions



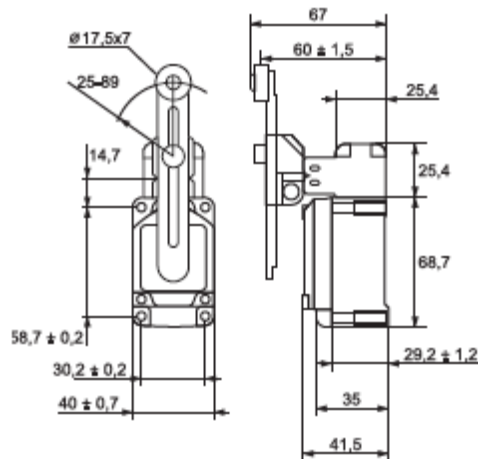
Type	Type of the head	Power of starting (g)	Power of release (g)	Switching position	General movement	Rated current	Packing / Box (pcs)	Catalogue number
CWLD	Metal cylinder	2720	910	2.0mm	6.4mm	10A-active 3A-inductive	1 / 50	46LD



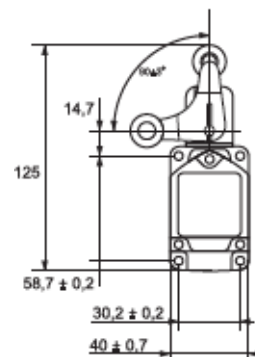
Type	Type of the head	Power of starting (g)	Power of release (g)	Switching position	General movement	Rated current	Packing / Box (pcs)	Catalogue number
CWLD2	Cylinder with metal roll	2720	910	2.0mm	5.6mm	10A-active 3A-inductive	1 / 50	46LD2



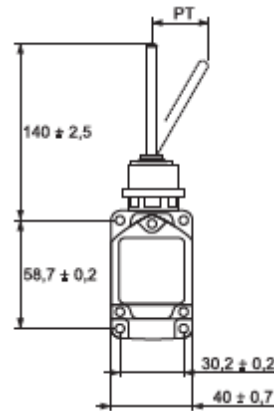
Type	Type of the head	Power of starting (g)	Power of release (g)	Switching position	General movement	Rated current	Packing / Box (pcs)	Catalogue number
CWL-CA2-2	Lever with metal rod	1360	227	20°	50°	10A-active 3A-inductive	1 / 50	46LCA2-2



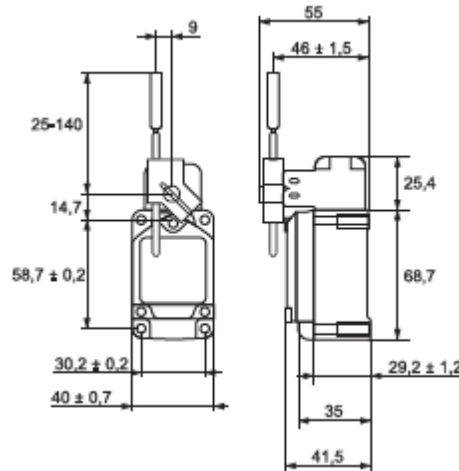
Type	Type of the head	Power of starting (g)	Power of release (g)	Switching position	General movement	Rated current	Packing / Box (pcs)	Catalogue number
CWL-CA12-2-Q	Adjustable lever with metal roll	2720	910	20°	50°	10A-active 3A-inductive	1 / 50	46LCA12-2-Q



Type	Type of the head	Power of starting (g)	Power of release (g)	Switching position	General movement	Rated current	Packing / Box (pcs)	Catalogue number
CWL-CA32-41	fork	1200g	-	55°	90±10°	10A-active 3A-inductive	1 / 50	46LCA32-41



Type	Type of the head	Power of starting (g)	Power of release (g)	Switching position	General movement	Rated current	Packing / Box (pcs)	Catalogue number
CWLNJ	Oil-resistant spring lever	150	-	28mm	90±10°	10A-active 3A-inductive	1 / 50	46LNJ



Type	Type of the head	Power of starting (g)	Power of release (g)	Switching position	General movement	Rated current	Packing / Box (pcs)	Catalogue number
CWLCL	Metal rod	142	28	20°	50°	10A-active 3A-inductive	1 / 50	46LCL

Standards

EN 60947-1

EN 60947-5-1

